

# YL21103 Mini-click Rain Sensor User's Guide

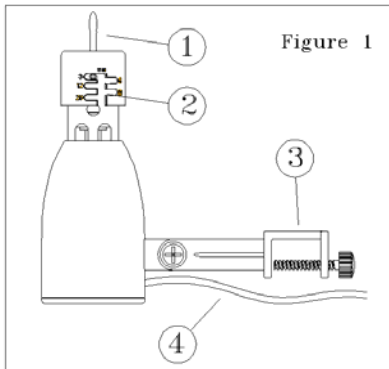
## Introduction

The YILIN Rain Sensor connects to your irrigation system controller/timer to suspend automatic watering operation in the event of rain. Designed for ease of installation, your sensor-controlled irrigation system will be up and running in minutes. Before attempting to install the Rain Sensor, Please read through these instruction in their entirety. Since the Rain Sensor is designed to work with most makes and models of controllers/Timers, you should also refer to the instructions provided with your irrigation system controller for specific information regarding the connection and use of a rain sensor or rain switch.

### Please note the following information regarding the Rain Sensor.

The Rain Sensor unit should never be submerged in water or installed inside a rain gutter.

### Rain Sensor Components (Figure 1)



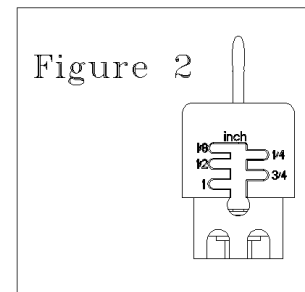
1- Test Spindle – Press down to manually test Rain Sensor operation.

- 2- Rainfall Adjustment Cap- Enables the Rain Sensor to be adjusted for detection of rainfall from 1/8” to 1”.
- 3- Universal Mounting Bracket with Quick-Clip-Simplifies installation on rain gutter, side of roof, etc. Enables the Rain Sensor to be mounted on an angled surface then easily adjusted to the vertical position.
- 4- outdoor- rated Rain Sensor control wire provided.

## Installation Instructions

### Rainfall Adjustment

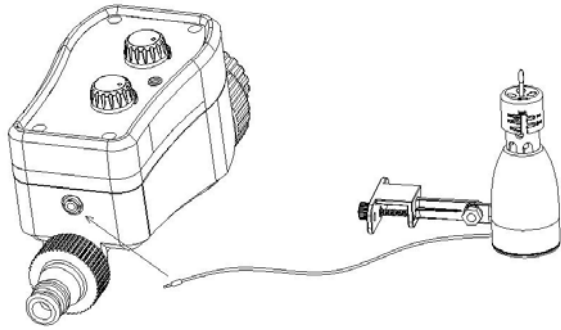
Prior to installing the Rain Sensor, check the current setting on the Rainfall Adjustment Cap. The Rain Sensor can be adjusted to detect average rainfall amounts of 1/8”, 1/4”, 1/2”, 3/4” or 1” before suspending watering. To adjust, turn the cap from the current setting and engage the stationary pins with the desired slot position in the cap. Be sure to align the slot and pin properly as this adjustment does not require excessive force. **See Figure 2.**



Note: Avoid using the 1/8” setting in high-humidity conditions.

### Changing the Rain Sensor Configuration

The Rain Sensor is designed to work with Normally Closed or Normally Open sensor circuits. If connecting the Rain Sensor to the timer's sensor terminals, first verify which type of sensor circuit is required by referring to the timer user guide. The Rain Sensor is set for Normally Closed sensor operation.



**See Figure 3.**

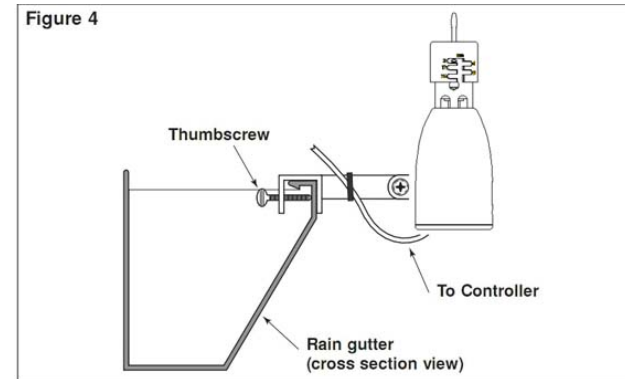
Put plug of rain sensor into socket of water timer.

### **Mounting the Rain Sensor**

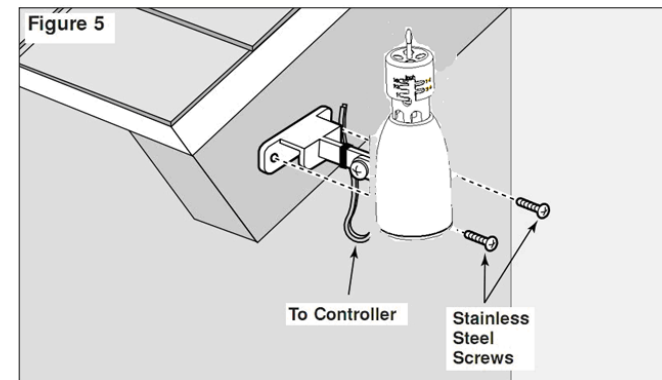
Select a mounting site for the Rain Sensor as close to the controller as possible. The installation site must provide unobstructed rainfall and sunlight conditions similar to those of the landscape being watered. Make sure the Rain Sensor will not be in contact with spray from the sprinklers or runoff from the roof.

A rain gutter is an ideal location for the Rain Sensor. Simply position the bracket with the thumbscrew under the gutter lip and tighten to

secure (do not over-tighten). See Figure 4 below.



The Rain Sensor can also be mounted on any suitable solid structure such as the side of the roof, a shed or fence using the two supplied stainless steel screws. See Figure 5 below.



Once securely fastened, adjust the Rain Sensor on the mounting bracket as needed to align the Rain Sensor housing vertically.