

## Electronic Water Timer 21002

You have purchased a quality electronic water timer using an efficient solenoid snap-on/snap off valve. Please read these operating instructions carefully to familiarise yourself with the water timer's features correct installation and use. Check that the program(s) is/are performed as you plan when the timer is used for the first time. This timer should only be operated by adults who are familiar with the operating instructions.

**Designed Use.** This Electronic Water Timer is designed for use outdoors only, in gardens, for the control of sprinklers and water systems. The Water Timer must not be used for industrial purposes or in conjunction with chemicals, foodstuffs, flammable or explosive materials.

### Technical Data.

Operating Voltage: DC 9v. (use a high power battery)  
**Static Current: less than or equal to 18uA**  
Battery life: 6 month normal use.  
Time error: +0.25 second per day  
Operating temperature 5°C to 60°C  
Water pressure: 0.5 bar to 8 bar  
Key Lock: Simple to set and unset.  
Prevents unauthorised/accidental program changes.

**How the Solar Electronic Water Timer works.** You can set the timer to water your garden early in the morning or late at night when water evaporates the least. Your electronic water timer will water your garden and hanging baskets completely automatically according to the program you choose. It will continue to water whilst you are on holiday. It provides two flexible methods to control irrigation:

1. **Manual:** press Man/Auto button to switch between: On - Off - Auto (you will hear a click when on; off is silent)
2. **Automatic:** Can water up to 8 times per day. Choose quickly from 15 different day combinations to control which days of the week the timer operates.

### Installation.

-1-

1. Insert 9v rechargeable battery.
2. Set the time (see below).
3. Set the watering program. This is straightforward to set as shown below. It is a good idea to become familiar with this "on the kitchen table" and discover how easy it is to set and change programmed times before installing it in the garden. Always program with the water turned off in any case.

Screw the adaptor onto the tap, then screw the timer to the adaptor, this is threaded  $\frac{3}{4}$ " bsp which fits most garden taps. The sleeve nut into which the adaptor fits is 1" bsp to suit larger taps. Tighten by hand only. Do not use tools. Please note that Timer must only be mounted in a vertical position

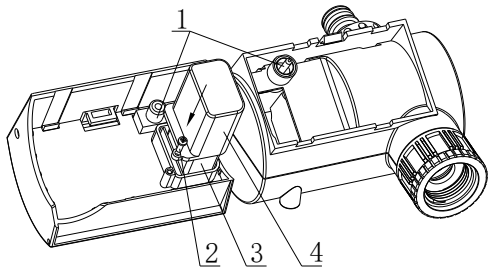
### Installing the battery.

- The Control Unit has a square shaped release button situated on its underside. Depress this to release it from the Timer body. Do not unscrew any fixing screws on the timer.
- Insert a standard 9v battery into the battery compartment, paying attention to +/- which are clearly marked.
- Click the Control Unit back onto the Timer body.

1. Cable  
connector

2. Battery

3. Release

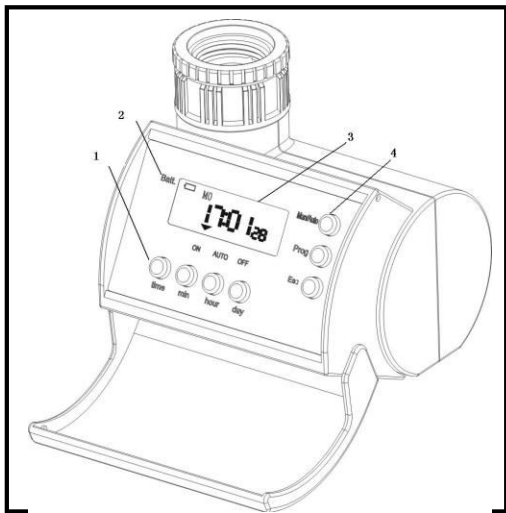


1. Connect two plug
2. Release the two screws
3. Load the Battery
4. Cover Battery compartment

**To ensure long life and prevent damage to the timer.**

- Timer must only be mounted in a vertical position with the tap connector nut pointing vertically upwards. This will prevent water entering the battery compartment.
- Only use mains water. Check the filter as necessary. Contact us if you use water butts or boreholes.
- Avoid tension or pulling on the hose leading from the timer.
- Frost will damage the Timer. Disconnect before first frost and store indoors in a dry, frost-free place.

-2-

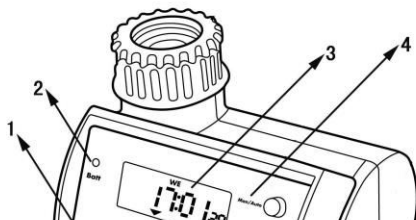


1. **Time:** Sets the current time and day. Keep depressed then press:-  
**Minute:** Press to advance one minute. Keep pressed for fast op'n.  
**Hour:** Press to advance one hour. Keep pressed for fast op'n.  
**Day:** Press to advance to next day, displayed above time.

2. **Battery low indicator,** when the indicator flash means no battery, need to replace the battery. After finished it, please press Esc 3 second, after a pause, press Esc 3 seconds again, the timer will work normally.

3. **LCD Display**

4. **Man/Auto:** Switches between on – auto – off. Indicated by arrow.  
**Prog:** Press to show 1<sup>st</sup>on, then hour, minute, day, to program time.  
**Esc:** Clears set program time. Press for 3 secs to lock keyboard.



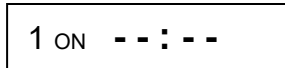
-1-

**Function Keys and Display.**

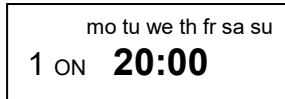
- Keyboard lock: Press Esc for more than 3 seconds to set. Press again for 3 seconds to unset.
- Time set: Ensure keyboard is unlocked. Hold “time” key down whilst pressing alternately “min”, “hour” and “day”. A light touch advances by one unit, holding down the min or hour advances time quickly.
- Program set: see below.
- Esc key: acts as a clear button for individual program time sets. Does not clear the current time.

**Programming the timer.**

1. Press “Program” once. Program 1 ON appears on the display.



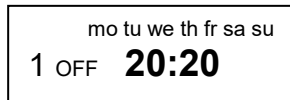
2. Press “hour” and “minute” to set start time, program 1 (24hr clock).



-3-

3. Press “day” to set days of the week that program 1 operates. (defaults to mon -sun, i.e. every day).

4. Press “Program” again. Program 1 OFF appears on the display.



5. Press “hour” and “minute” to set finish time, program 1

**If you only want your watering system to come on once per day, for the days set in 3 above, stop here.**

6. Press “Program” again. Program 2 ON appears on the display.

7. Repeat steps 2 to 5 above for a second watering on the above days, or watering on selected days only.

- Up to 8 programs may be set from a total of 15 different days-in-the-week configurations.
- Ensure that the days for the OFF setting are the same as those for the ON setting
- Ensure that every ON time has an OFF time!!
- To exit programming press “time” which returns the display to the current time and day

**If after pressing “Program” you press “day” repeatedly the following day combinations appear (see 3 above)**

1	MO	4	TH	7	SU	10	SA SU	13	MO TU WE TH
---	----	---	----	---	----	----	-------	----	-------------

									FR
2	TU	5	FR	8	MO WE FR	11	MO TU WE	14	MO TU WE TH FR SA
3	WE	6	SA	9	TU TH SA	12	TH FR SA	15	MO TU WE TH FR SA SU

NB (1) Install with inlet & outlet vertical (2) Bring in before frosts start (3) "Man/Auto" on/off overrides program.